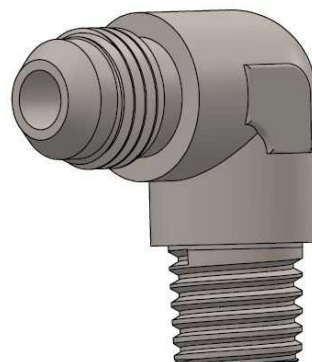
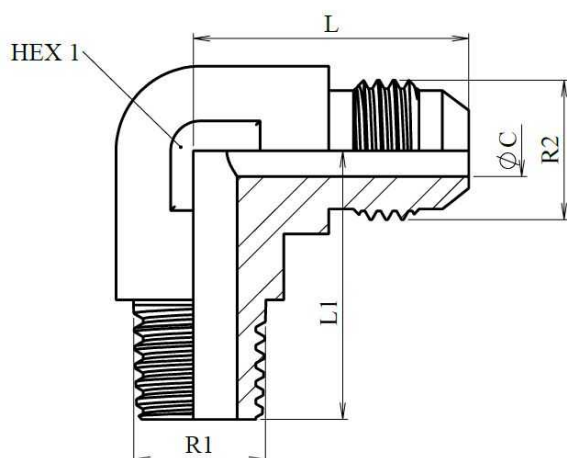


Racores JIC 37º

Codos 90º JIC 37º

## Codo 90º macho JIC 37º - macho BSPT

Acero Inoxidable AISI 316-L



Artículo	ØD1	ØD2	R1	R2	L	L1	ØC	HEX 1
<b>ZS5500610</b>	6	1/4"	1/8" BSPT	7/16" 20h UNF	24	24	4	12
<b>ZS5500613</b>	6	1/4"	1/4" BSPT	7/16" 20h UNF	22,5	26	4	14
<b>ZS5500810</b>	8	5/16"	1/8" BSPT	1/2" 20h UNF	24	26	6	14
<b>ZS5500813</b>	8	5/16"	1/4" BSPT	1/2" 20h UNF	24	26	6	14
<b>ZS5501013</b>	10	3/8"	1/4" BSPT	9/16" 18h UNF	27	31	7,5	17
<b>ZS5501017</b>	10	3/8"	3/8" BSPT	9/16" 18h UNF	27	31	7,5	17
<b>ZS5501021</b>	10	3/8"	1/2" BSPT	9/16" 18h UNF	27	31	7,5	22
<b>ZS5501213</b>	12	1/2"	1/4" BSPT	3/4" 16h UNF	32	34	10	19
<b>ZS5501217</b>	12	1/2"	3/8" BSPT	3/4" 16h UNF	32	34	10	19
<b>ZS5501221</b>	12	1/2"	1/2" BSPT	3/4" 16h UNF	32	34	10	22
<b>ZS5501617</b>	14-15-16	5/8"	3/8" BSPT	7/8" 14h UNF	37	35	12	22
<b>ZS5501621</b>	14-15-16	5/8"	1/2" BSPT	7/8" 14h UNF	37	35	12	22
<b>ZS5501626</b>	14-15-16	5/8"	3/4" BSPT	7/8" 14h UNF	37	35	12	27
<b>ZS5502021</b>	18-20	3/4"	1/2" BSPT	1"1/16 12h UN	42	45	15,5	27
<b>ZS5502026</b>	18-20	3/4"	3/4" BSPT	1"1/16 12h UN	42	45	15,5	27
<b>ZS5502526</b>	25	1"	3/4" BSPT	1"5/16 12h UN	50	40	23,2	36
<b>ZS5502533</b>	25	1"	1" BSPT	1"5/16 12h UN	50	50	23,2	36
<b>ZS5503242</b>	30-32	1" 1/4	1 1/4" BSPT	1"5/8 12h UN	52,5	56	27,5	46